

# HORNET™

Polypropylene outlet fusion for branch sizes 20mm to 63mm on to 40mm to 630mm main sizes



## OVERVIEW

The McElroy **Hornet** — a new all-in-one tool for polypropylene outlet fusion — is an industry first. It brings an innovative alternative to manual outlet fusion methods that is more productive, efficient and reliable than ever before. The Hornet's patent-pending design allows it to self-align on the center of the pipe while a guided carriage facilitates the drilling of the outlet hole and fusion of the fitting — keeping everything perfectly aligned without repositioning the machine.

The Hornet's unique quick-change drill and fitting adapters easily swap in and out of the carriage which keeps the outlet hole and fitting aligned throughout the entire process — creating a more accurate fusion.

With a small footprint and weighing just 11 pounds, the Hornet is capable of performing in any orientation — making it ideal for overhead and vertical fusions in tight spaces. The Hornet works with all existing McElroy socket heaters and fusion outlet welding heads for polypropylene pipe. An integrated ratchet strap allows it to attach to a wide range of main sizes from 40mm to 630mm while installing outlets for 20mm to 63mm branches.

## FEATURES

- Anodized aluminum wear surfaces for corrosion resistance
- Quick-change drill and fitting adapter for efficient fusions
- Rack and pinion drive for smooth operation
- Self-centering base design ensures fusion operations align on center of pipe
- Integrated ratchet strap allows operation across wide range of pipe sizes
- Light weight and compact
- Carriage locks in position

## SPECIFICATIONS

### CAPACITY

Fuses Pipe Sizes: .....20mm – 63mm

Main Size: .....40mm - 630mm

### MODEL

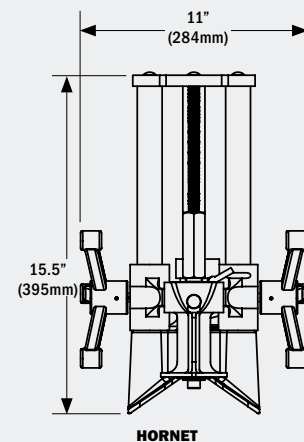
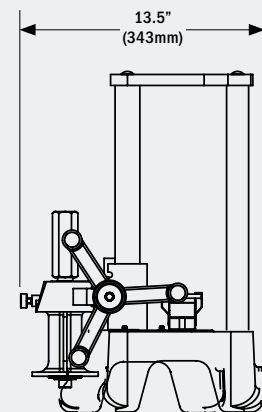
SW25001:.....Hornet Outlet Fusion Tool

### WEIGHT

Machine: ..... 11 lbs. (5 Kg)

### MAXIMUM STROKE

Length: ..... 8 in. (206mm)



### INCLUSIONS

Package includes Hornet fusion machine, drill and fitting adapters, ratchet strap, accessory case and carrying case. Drill not included. Cutters, heater and heater adapters sold separately. Specifications subject to change without notice.

  
www.mcelroy.com