

# ACROBAT™ 160

Fusion capability for 63mm to 160mm (2"-6") polypropylene pipe



## OVERVIEW

The **Acrobat 160** is a low-force fusion machine that allows operators to butt fuse pipe in tight work spaces. With its small footprint and optimal weight, it is an easy machine to manipulate when performing overhead fusions in tight spaces as well as on the ground.

For even tighter spaces, the Acrobat 160 can be configured from 4 jaws to 3 jaws without using tools. It also comes with a Hydraulic Power Unit (HPU) and inserts for commonly butt-fused polypropylene pipe sizes. The facer and heater can be loaded from the top or bottom (in the 3-jaw configuration) of the carriage giving the operator better access and flexibility regardless of the joining challenge.

## FEATURES

- Small footprint, lightweight
- Tool-less conversion from 4-jaw to 3-jaw carriage for tight work spaces
- Narrow jaws allow fusions for flanges to outlet branch of tees and most fittings
- Hard anodized aluminum wear surfaces for corrosion resistance
- DataLogger® compatible
- Premium shipping container serves as work surface

## SPECIFICATIONS

### CAPACITY

Fuses Pipe Sizes:.....63mm – 160mm (2"-6")

### MODEL

A714501:..... 120V, 60HZ, 1 PHASE

A714502:.....208-240V, 50/60HZ, 1 PHASE

### POWER REQUIREMENTS

	120V	240V
Heater	1.2 kW	1.2 kW
Facer	.9 kVA / .7 kW	1.2 kVA / 1 kW
HPU	.3 HP, 5.9 Amp	.3 HP, 2.4 Amp

### PLUG TYPE

120V: .....Nema 5-15

240V: .....CEE 7/7

### WEIGHT

4-Jaw Carriage:.....40 lbs. (18.1 Kg)

3-Jaw Carriage:.....29 lbs. (13.2 Kg)

Facer:.....35 lbs. (15.9 Kg)

Heater:.....14 lbs. (6.4 Kg)

HPU:.....56 lbs. (25.4 Kg)

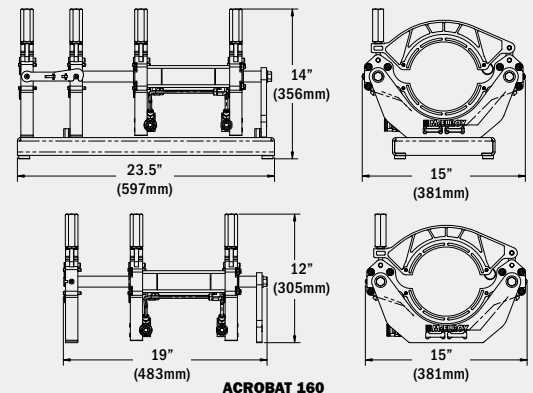
Shipping Container:.....350 lbs. (158.8 Kg)

### HYDRAULICS

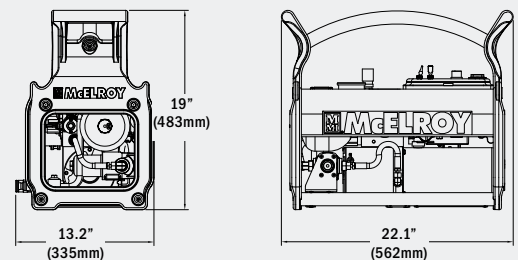
Maximum Gauge Pressure:.....800 PSI (55.2 BAR)

### CHASSIS

Frame:.....Welded aluminum construction



ACROBAT 160



ACROBAT HPU

### INCLUSIONS

Acrobat 160 package includes fusion machine, facer, heater, insulated heater stand, facer stand, Acrobat HPU, 125mm inserts and shipping container. Specifications are subject to change without notice.

