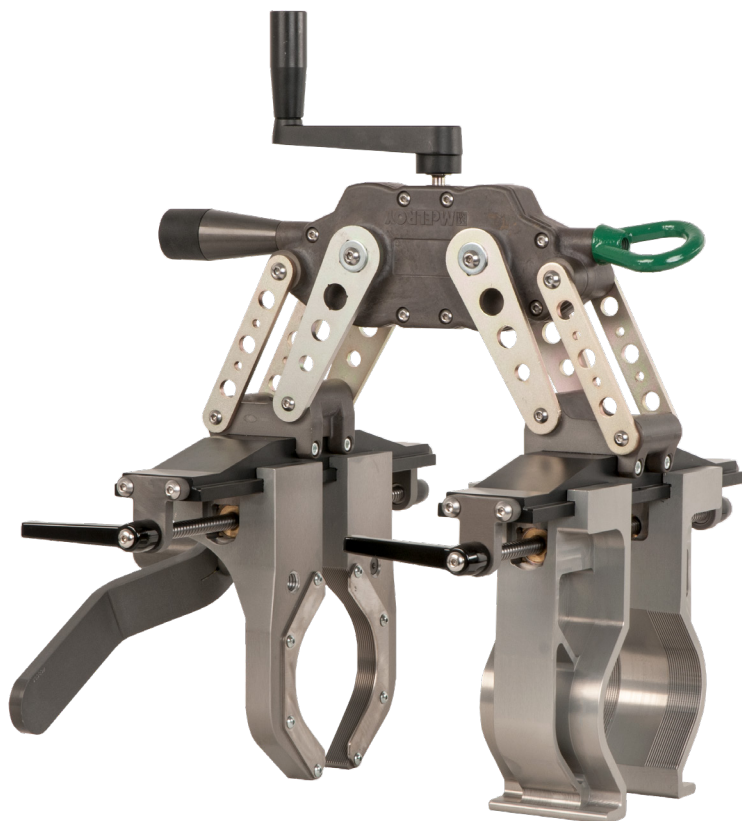


SPIDER™ 125 SERIES 2

Socket Tooling for 63mm to 125mm (2"-4") polypropylene pipe



OVERVIEW

The **Spider 125 Series 2** is the preferred equipment for quick and accurate socket fusion of polypropylene pipe and fittings from 63mm to 125mm. Only one operator is required to efficiently align, heat, fuse and cool the pipe. With a lightweight and compact design, the Spider is ideal for performing socket fusions overhead, vertically and other tight indoor spaces from the attic to the floor.

FEATURES

- New jaw clamping system maintains roundness of pipe, improves force distribution
- Strong gearbox and self-locking drive handle for proper alignment and constant fusion pressure
- D-ring added for easy lifting and drop protection
- Removable fitting stops add HDPE fusion capability
- New removable fitting support system ensures proper alignment
- Durable aluminum handle and knobs
- Lightweight and compact for easy lifting and fusing in tight spaces
- Universal clamping jaw system fits all pipe brands and fittings; inserts not required
- Toolless adjustment for user-friendly setup

SPECIFICATIONS

CAPACITY

Fuses Pipe Sizes:..... 63mm - 125mm (2"-4")

MODEL

A467601..... Spider 125 Series 2 Package

WEIGHT

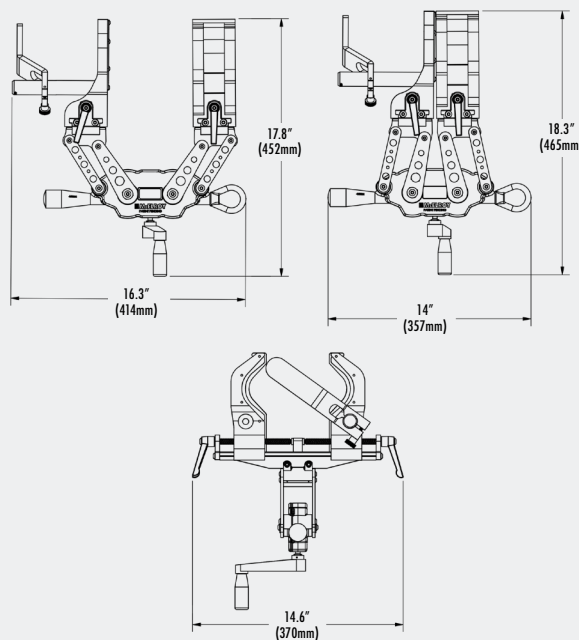
Machine: 18 lbs. (8.2 Kg)

MAXIMUM STROKE

Length: 7.7 in. (196mm)

MECHANICAL ADVANTAGE

Gear Ratio: 20-to-1



SPIDER 125 SERIES 2

INCLUSIONS

Package includes Spider fusion machine and work bag. Heater and other socket fusion tooling sold separately. Specifications subject to change without notice.



www.mcelroy.com