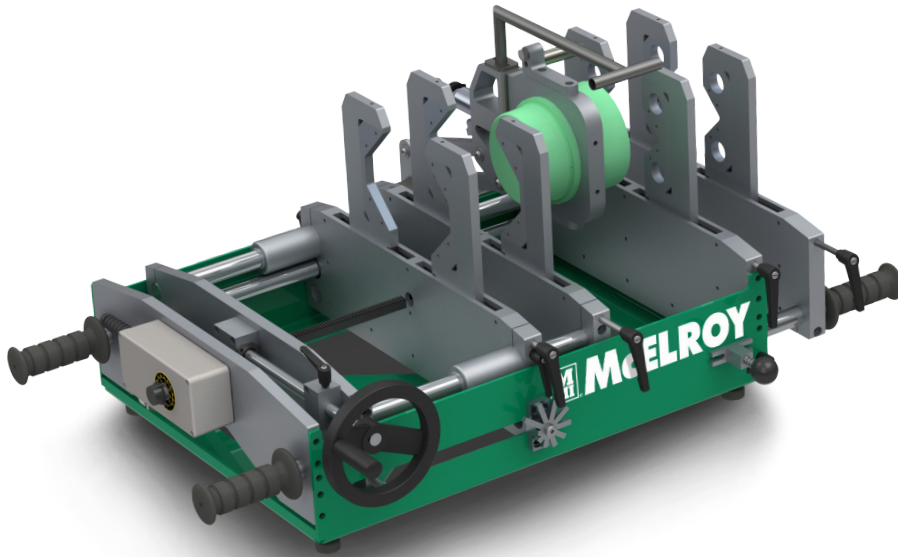


SMARTFAB™ 125

Socket fusion prefabrication for 20mm to 125mm polypropylene pipe



OVERVIEW

McElroy has created a smarter way to socket fuse pipe and fittings for polypropylene piping systems with the **SmartFab 125** benchtop machine. Its portable design allows it to be positioned on any flat surface for precise prefabrication, providing versatility in the shop as well as the field.

Advanced features of the SmartFab 125 provide more efficiency with innovative inserts that reduce ovality in pipe and fittings. The heater pivots to easily accommodate fittings situated on either side of the machine, which eliminates having to reposition the entire machine. Its four jaws adjust to any desired spacing and each jaw clamps individually to the desired pipe and fitting size.

FEATURES

- Innovative inserts that reduce ovality in pipe and fittings
- Heater pivots 180° so the machine, pipe and fitting never has to be repositioned
- Jaws clamp individually and are size independent, allowing a greater combination of pipe and fittings
- Outer jaw spacing is adjustable – allowing greater flexibility, support and alignment while fusing fittings and assemblies
- Outer fixed jaw is removable for added clearance
- Positive stop at full stab depth to fabricate at exact dimensions
- Uses standard McElroy heater adapters
- Rack and pinion drive provides smooth, steady fusion force
- Drive handle positioned so that unit can operate on any flat surface

SPECIFICATIONS

CAPACITY

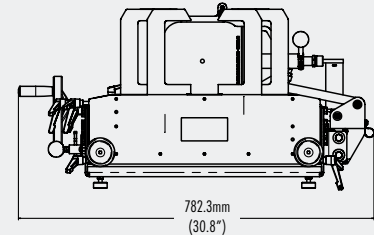
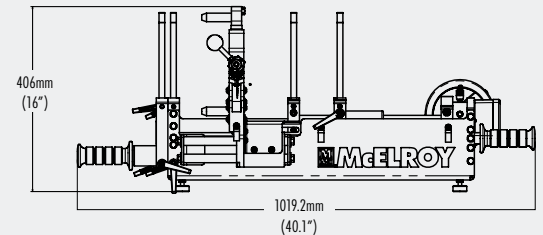
Fuses Pipe Sizes: 20mm to 125mm pipe and fittings

MODELS

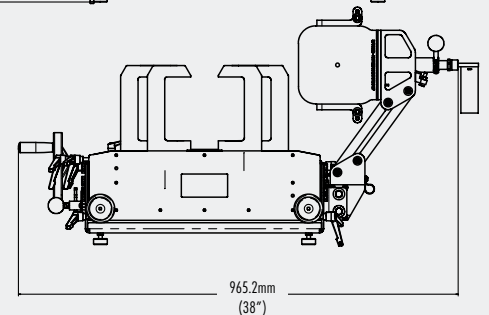
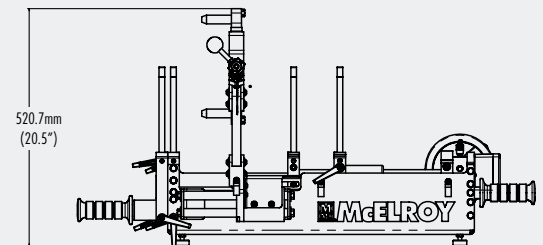
PART NUMBER	VOLTAGE
A460301	120V
A460302	240V

WEIGHT

Machine: 65.8 Kg (145 lbs.)



SMARTFAB 125 with Heater Extended



INCLUSIONS

Package includes SmartFab 125 fusion machine, 20-125mm heater adapters, 17-170mm inserts adapter storage box and shipping container. Specifications subject to change without notice.

